



**SANDS  
REMOVAL SYSTEM**

PRETREATMENT  
HOUSE 

**YOUR PRETREATMENT HOUSE**

# WAU SANDS REMOVAL SYSTEM

DESIGN & MANUFACTURED BY



**WAU-1** Designed and manufactured sand removal systems for biogas plants.



## WHAT IT MAKES

- The WAU compact pre-treatment unit has the best options when it comes to grit removal, having a density of up to 20%
- Incoming flows treatable up to 100 m<sup>3</sup>/h
- Efficiency in terms of separation is up to 97% for sand particles having a size equal to or greater than 200 microns.
- Construction materials aisi 304L/316L stainless steel

## INPUT PRODUCT



## REMOVED GRIT



## AIR DIFFUSER



The combined effect of the micro and macro air bubbles creates a deposition effect of the sand particles. The lower horizontal conveyor auger conveys the deposited sands up to the extraction area, where the inclined screw extracts and discharge the material. After the treatment, the sand-free organics can be introduced into the digester.

### BENEFITS

- High reliability
- Low energy consumption
- Low noise level
- Simple & minimal maintenance

### APPLICATIONS

**ENERGY**  
**FOOD WASTE**  
**MANURE**

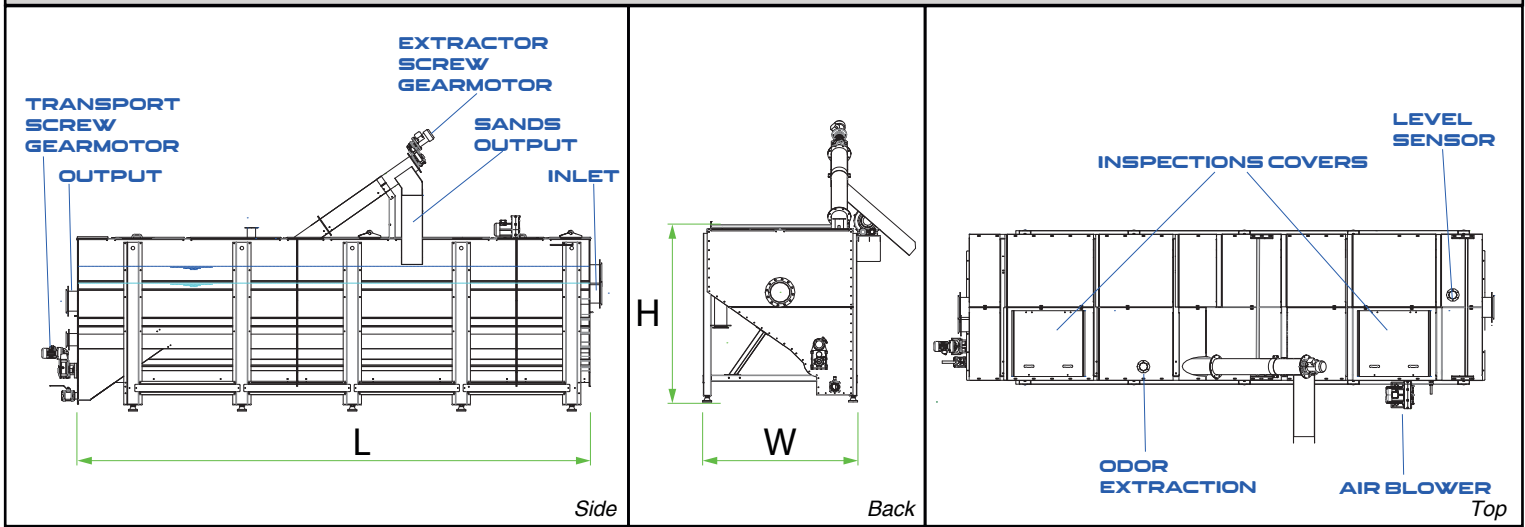
## INSTALLATIONS



More than 500  
WAU grit removal units  
are working worldwide.



# HEAVY DUTY SCREW CONVEYOR



## TECHNICAL DATASHEET

| Model                         | WAU10  | WAU20  | WAU30  | WAU50  | WAU80   | WAU100  |
|-------------------------------|--|--------|--------|--------|---------|---------|
| <b>FLOW RATE</b>              |  |        |        |        |         |         |
| mc/hr                         | 10   | 20     | 30     | 50     | 80      | 100     |
| <b>GENERAL DIMENSIONS</b>     |  |        |        |        |         |         |
| L                             | 6000mm   |        | 9000mm |        | 10500mm | 12000mm |
| H                             | 2700mm   |        |        |        |         |         |
| W                             | 1100mm   | 1700mm |        | 2000mm |         |         |
| <b>DEVICES</b>                |  |        |        |        |         |         |
| Options on request            | ROTATION SENSORS   |        |        |        |         |         |
|                               | AIR BLOWER   |        |        |        |         |         |
|                               | LEVEL SENSOR   |        |        |        |         |         |
|                               | AGITATORS  |        |        |        |         |         |
| <b>CONSTRUCTION MATERIALS</b> |  |        |        |        |         |         |
| Spiral                        | Painted Micro Alloy Steel   SS304   SS316   Duplex                 |        |        |        |         |         |
| Anti-Wear Bottom              | SS304   SS316   Hardox   |        |        |        |         |         |
| Carpentry                     | SS304   SS316   Duplex   |        |        |        |         |         |
| Supports                      | Painted or Galvanized micro-alloyed steel   SS304   SS316   Duplex |        |        |        |         |         |

## DETAILS

